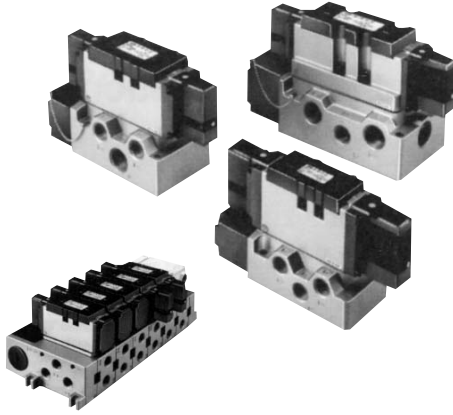


Product Profile: ISO Interface Solenoid Valve, ISO 5599/II Rubber Seal/Metal Seal

Series **VSR8/VSS8**



Choice of seals for maximum flexibility

Available in either high flow rubber seal (model VSR) or matched ground spool and sleeve (model VSS).

Low power consumption 1.8 W DC

Available in 2 or 3 position, single or double solenoid pilot configuration.

Long service life

- Rubber seal: 30 million cycles or more
 - Metal seal: 50 million cycles or more
- * Subject to SMC's own test data using clean and dry air.

Lightweight

- Size 1: 552 g (1.21 lb)
- Size 2: 824 g (1.81 lb)
- Size 3: 1,000 g (2.21 lb)

Top mounted manual override

Easy access for trouble shooting the circuit

Model

| Size | Model | Seal | Effective area ⁽¹⁾ (Cv) | Response time m (sec) ⁽²⁾ | | | Weight ⁽³⁾ g (lb) | Port size |
|------|---------|--------|---------------------------------------|--------------------------------------|--------|------------|---------------------------------|---------------|
| | | | | Single | Double | 3 position | | |
| 1 | VSR8-6 | Rubber | 36 (2.0) | 30 | 30 | 50 | 551 (1.21) | 1/4, 3/8, 1/2 |
| | VSS8-6 | Metal | 32 (1.8) | 25 | 20 | 45 | | |
| 2 | VSR8-8 | Rubber | 72 (4.0) | 50 | 50 | 70 | 824 (1.81) | 3/8, 1/2, 3/4 |
| | VSS8-8 | Metal | 65 (3.6) | 40 | 20 | 55 | | |
| 3 | VSR8-10 | Rubber | 97 (5.4) | 80 | 50 | 95 | 1000 (2.21) | 1/2, 3/4, 1 |
| | VSS8-10 | Metal | 90 (5.0) | 50 | 25 | 60 | | |

Note 1) With port size 1/2 for VSR/VSS8-6, 3/4 for VSR/VSS8-8, 1 for VSR/VSS8-10.

Note 2) Subject to JIS B 8375-1981. At 0.5 MPa (71 psi)

Note 3) Single solenoid type without base.

Specifications

| | | Rubber seal | Metal seal |
|--|---------|--|---|
| Valve operation | | Pilot operated, 5 port | |
| Fluid | | Air, Inert gas | |
| Operating pressure range MPa (psi) | | 0.1 to 1.0 (14.5 to 145) | 0.1 to 1.6 (14.5 to 230) ^{Note)} |
| Proof pressure MPa (psi) | | 1.5 (217) | 2.4 (348) |
| Ambient and fluid temperature °C (°F) ⁽²⁾ | | -5 to +50 (+23 to +122) | -20 to +60 (-4 to +140) |
| Max. operating frequency (cycle/sec) | | 8-6: 5; 8-8: 5, 8-10: 5 | 8-6: 20; 8-8: 15, 8-10: 10 |
| | | 8-6: 3; 8-8: 3, 8-10: 2 | 8-6: 10; 8-8: 10, 8-10: 20 |
| Lubrication | | Not required | |
| Manual override | | Non-locking push type | |
| Enclosure | | Dusttight | |
| Coil rated voltage | | 100 VAC, 110 VAC, 200 VAC, 220 VAC, 24 VDC | |
| Allowable voltage range (%) | | -15 to +10% of rated voltage | |
| Coil insulation | | Class B or equivalent | |
| Apparent power (VA) | Inrush | 50 Hz | 5.6 |
| | | 60 Hz | 5.0 |
| | Holding | 50 Hz | 3.4 |
| | | 60 Hz | 2.3 |
| Power consumption (W) | | 1.8 | |
| Surge voltage suppressor and indicator light | | Available as option | |

Note 1) Pilot pressure range should be 0.1 to 1 MPa (14.5 to 145 psi).

Note 2) Use dry air to prevent dew condensation when operating at low temperature.

Note 3) Subject to JIS B 8375-1975.

For details, please contact SMC.

VK

VZ

VF

VFR

VP4

VZS

VFS

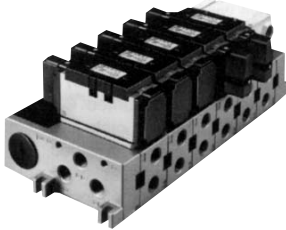
VS4

VQ7

EVS

VFN

Manifold Specifications



Standard Specifications

| | | | |
|---------------------------|------------------|-----------------------|-------------|
| Manifold block size | ISO Size 1 | ISO Size 2 | ISO Size 1 |
| Applicable solenoid valve | VSR/S8-6 | VSR/S8-8 | VSR/S8-6 |
| Number of stations | 1 to 10 | | |
| Port size | A, B port | 1/4, 3/8, 1/2, 3/4, 1 | |
| | P, EA, PB port | 1/4, 3/8, 1/2, 3/4, 1 | |
| Individual SUP spacer | VV81-P-02/03/04□ | VV82-P-03/04/06□ | — |
| Individual EXH spacer | VV81-R-02/03/04□ | VV82-R-03/04/06□ | — |
| Interface speed control | VV8060-22A | VV8080-22A | — |
| Interface regulator | ARB250-00-□-1 | ARB350-00-□-1 | — |
| | NARB250-N0-□-1 | NARB350-N0-□-1 | — |
| Blanking plate assembly | VVS8060-11A | VVS8080-11A | VVS8060-11A |

How to Order Manifold

