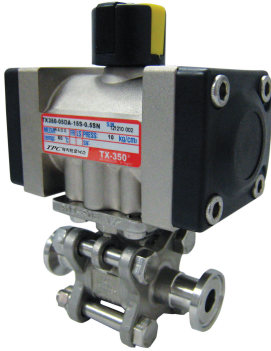


TX350-Sanitary 시리즈

3PCS BALL VALVE

Air Operating Ball Valve(Full Bore)



- ISO 규격 Type
- FULL BORE로 압력 손실이 없음
- 정전기 방지 장치 부착
- 정비가 용이한 3분할 볼 밸브
- 배관, 유지 보수시 분해 및 조립이 용이
- 볼 밸브 스템 홀 부분 연마
- 식품 전용 밸브
- 인디게이터 부착으로 OPEN, CLOSE 식별 용이

주문형식



1 Series
(Air Operating Ball Valve, Full Bore)

2 Actuator Cylinder Size

- 05 : 40mm
- 1 : 50mm
- 2 : 63mm
- 3 : 85mm
- 4 : 100mm

3 Actuator Type

- DA : Double Acting
- RS : Return Spring

4 Valve Type

SA : Sanitary

5 Valve Size

- 15 : 1/2"
- 20 : 3/4"
- 25 : 1"
- 32 : 1 1/4"
- 40 : 1 1/2"
- 50 : 2"
- 65 : 2 1/2"
- 80 : 3"
- 100 : 4"

6 Option

무기호 : 기본형
H : 고온용 밸브 Seat(제품사양 참조)
※ Solenoid valve 주문시 p.232 참조
(주문시 별도 문의)

7 인발사양

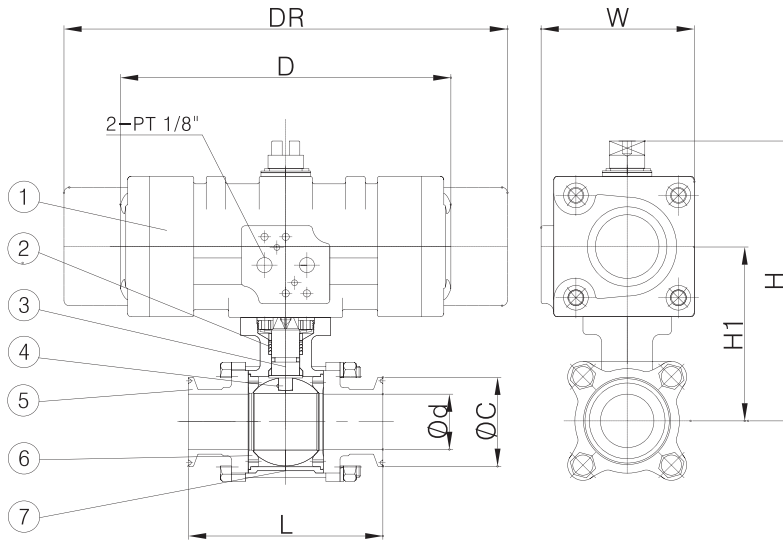
무기호 : 다이캐스팅
I : 인발사양

제품사양

항목	내용
Fluid	Water, Air, Oil, Gas, Steam
Fluid Temperature	(不凍)0~80°C / (고온용)Seat 교환시 0~180°C
Operating press	4~7Kg/cm ²
Option	Solenoid Valve AC110V, AC220V, DC24V
	Speed control
	Limit Switch
	Filter Regulator the other

3PCS BALL VALVE TX350-Sanitary 시리즈

구조도



부품 List

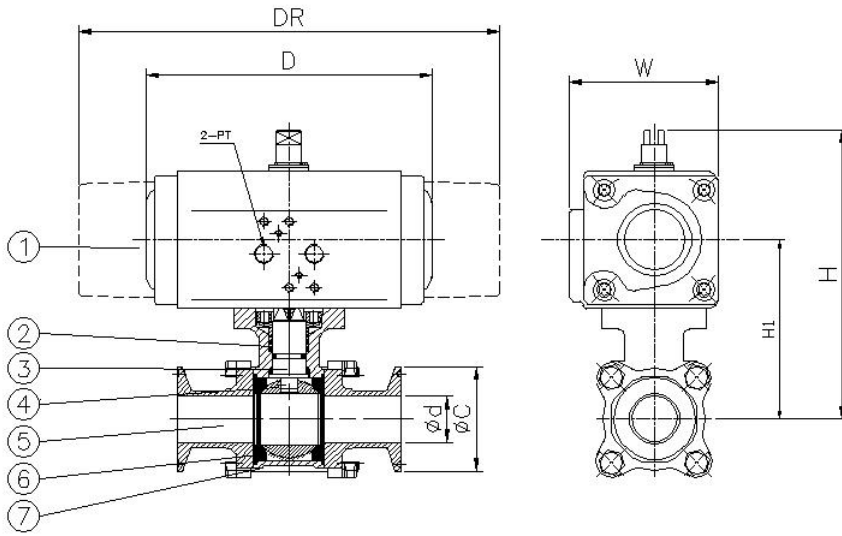
No.	품명	재질
1	ACTUATOR	組立品(다이캐스팅)
2	PACKING	PTFE
3	STEM	SUS316
4	BALL	SUS316
5	CAP	SCS14(CF8M)
6	SEAT	PTFE/CARBON
7	VALVE BODY	SCS14(CF8M)

치수표 (다이캐스팅)

Model	Connection		Max. pressure (MPa)	Dimension (mm)												Weight (Kg)	
	Size (in)	Type		Ød	Øc	L	H		H1		D	DR	W		PT	DA	RS
							DA	RS	DA	RS			DA	RS			
■ TX350 Double Acting & Return Spring Actuator																	
TX350-05DA-15S	TX350-1RS-15S	1/2	1.0	9.4	25.4	71	113	125	67	72	107	203	60	72	1/8	1.03	1.99
TX350-05DA-20S	TX350-1RS-20S	3/4		15.8	25.4	98	117	130	72	77	107	203	60	72		1.17	2.13
TX350-1DA-25S	TX350-1RS-25S	1		22.2	50.4	108	140	140	87	87	138	203	72	72		2	2.52
TX350-2DA-40S	TX350-2RS-40S	1 1/2		34.9	50.4	136	167	167	106	106	187	251	90	90		4.25	5.18
TX350-2DA-50S	TX350-3RS-50S	2		47.5	63.9	155	175	200	115	128	187	427	90	106	5.5	9.32	
TX350-3DA-65S	TX350-3RS-65S	2 1/2		60.3	77.5	169	234	234	162	162	265	427	106	106	10.74	13.21	
TX350-3DA-80S	TX350-4RS-80S	3		73	90.9	196	243	298	171	180	265	455	106	120	14.36	23	
TX350-4DA-100S	TX350-4RS-100S	4		97.4	118.9	233	298	298	216	216	281	455	120	120	29.56	33.36	

TX350-Sanitary 시리즈

구조도



부품 List

No.	품명	재질
1	ACTUATOR	組立品(인발)
2	PACKING	PTFE
3	STEM	SUS316
4	BALL	SUS316
5	CAP	SCS14(CF8M)
6	SEAT	PTFE/CARBON
7	VALVE BODY	SCS14(CF8M)

치수표 (인발)

Model	Connection		Max. pressure (MPa)	Dimension(mm)										Weight(Kg)			
	Size (in)	Type		Ød	Øc	L	H		H1		D	DR	W		PT	DA	RS
							DA	RS	DA	RS			DA	RS			
■ TX350 Double Acting & Return Spring Actuator																	
TX350-05DA-15S	TX350-1RS-15S	1/2	1.0	9.4	25.4	71	113	125	67	72	107	203	58.4	72	1/8	1.03	1.99
TX350-05DA-20S	TX350-1RS-20S	3/4		15.8	25.4	98	117	130	72	77	107	203	58.4	72		1.17	2.13
TX350-1DA-25S	TX350-1RS-25S	1		22.2	50.4	108	140	140	87	87	138	203	72	72		2	2.52
TX350-2DA-40S	TX350-2RS-40S	1 1/2		34.9	50.4	136	167	167	106	106	187	251	86.7	86.7	1/4	4.25	5.18
TX350-2DA-50S	TX350-3RS-50S	2		47.5	63.9	155	175	200	115	128	187	427	86.7	106		5.5	9.32
TX350-3DA-65S	TX350-3RS-65S	2 1/2		60.3	77.5	169	234	234	162	162	265	427	106	106	10.74	13.21	
TX350-3DA-80S	TX350-4RS-80S	3		73	90.9	196	243	298	171	180	265	455	106	120	14.36	23	
TX350-4DA-100S	TX350-4RS-100S	4		97.4	118.9	233	298	298	216	216	281	455	120	120	29.56	33.36	

* 4DA, 4RS는 압축성형(인발)제품임